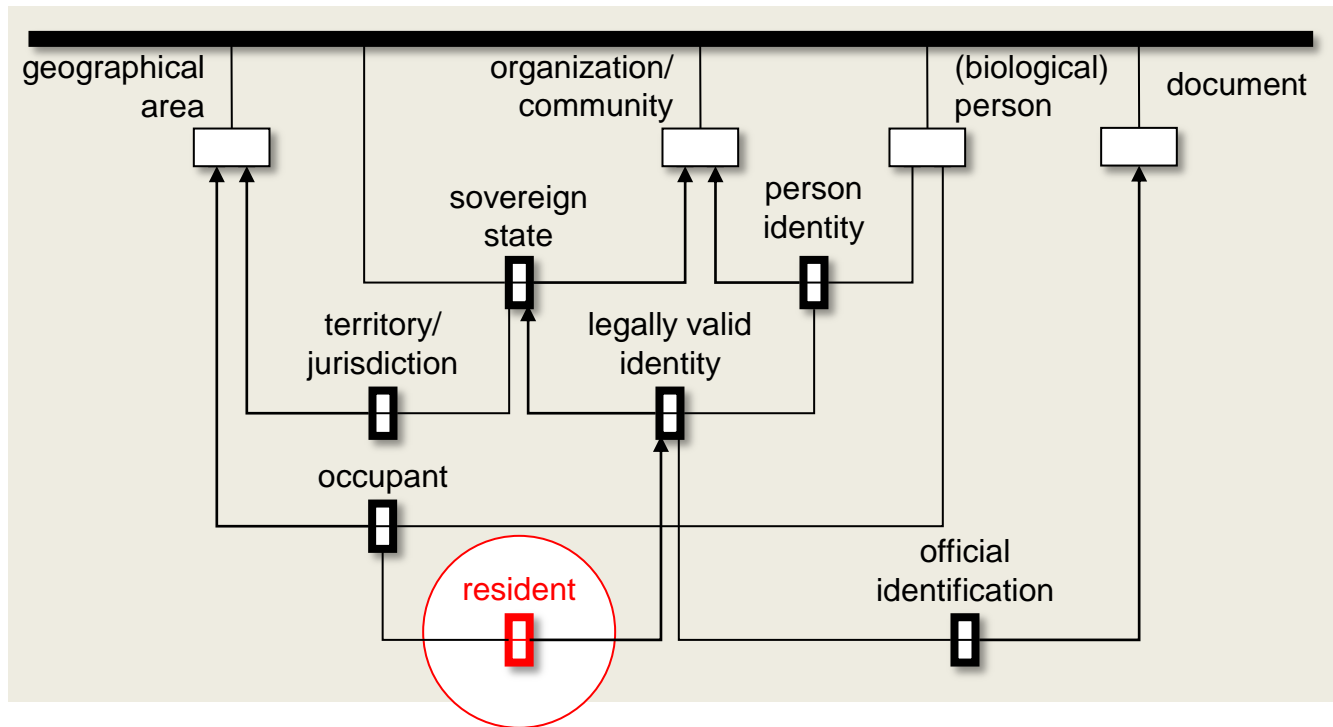


Semic's Core Person Contextualized

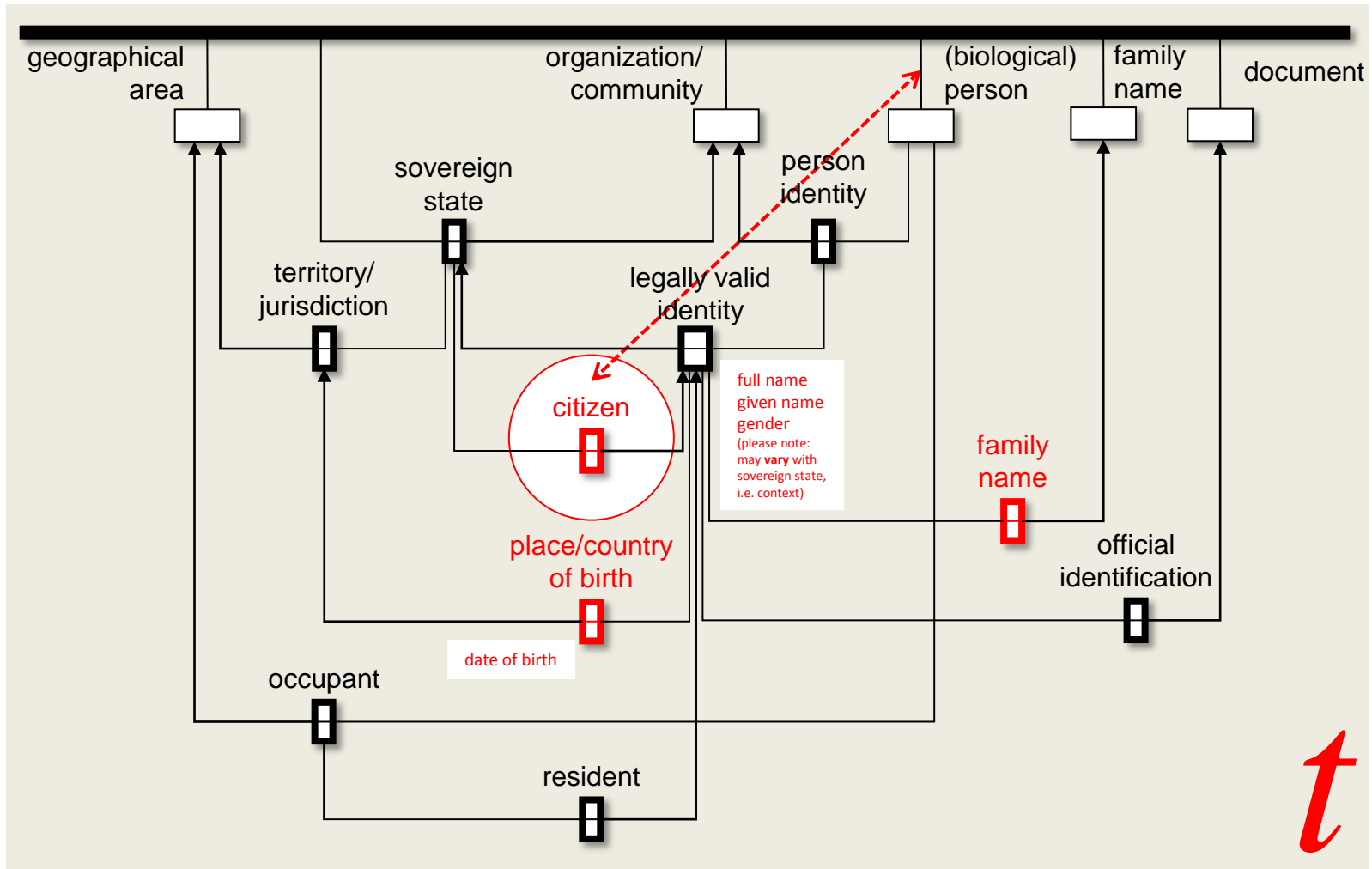


The above information model is explained in [Resident, designing a contextual-semantic diagram with Metapattern.](#)

Now, how does Core Person fit?

Core Person Citizen

designing a contextual-semantic diagram with Metapattern

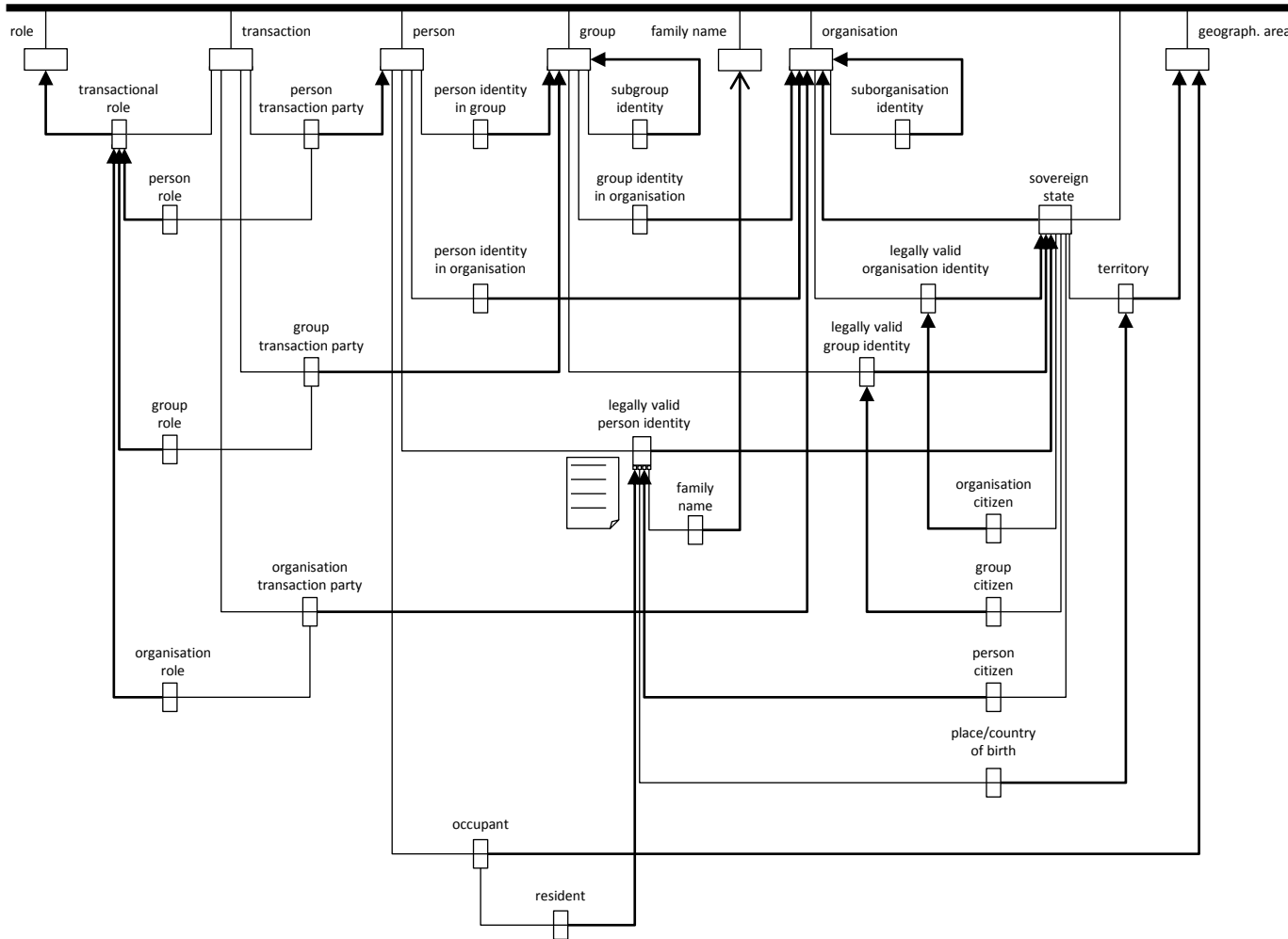


toward
method
for
semantic interoperability

Design for Semantic Interoperability

modelled with Metapattern

Office of the Standardisation Forum,
The Netherlands, 2010
www.forumstandaardisatie.nl



Semic's cases of reuse:

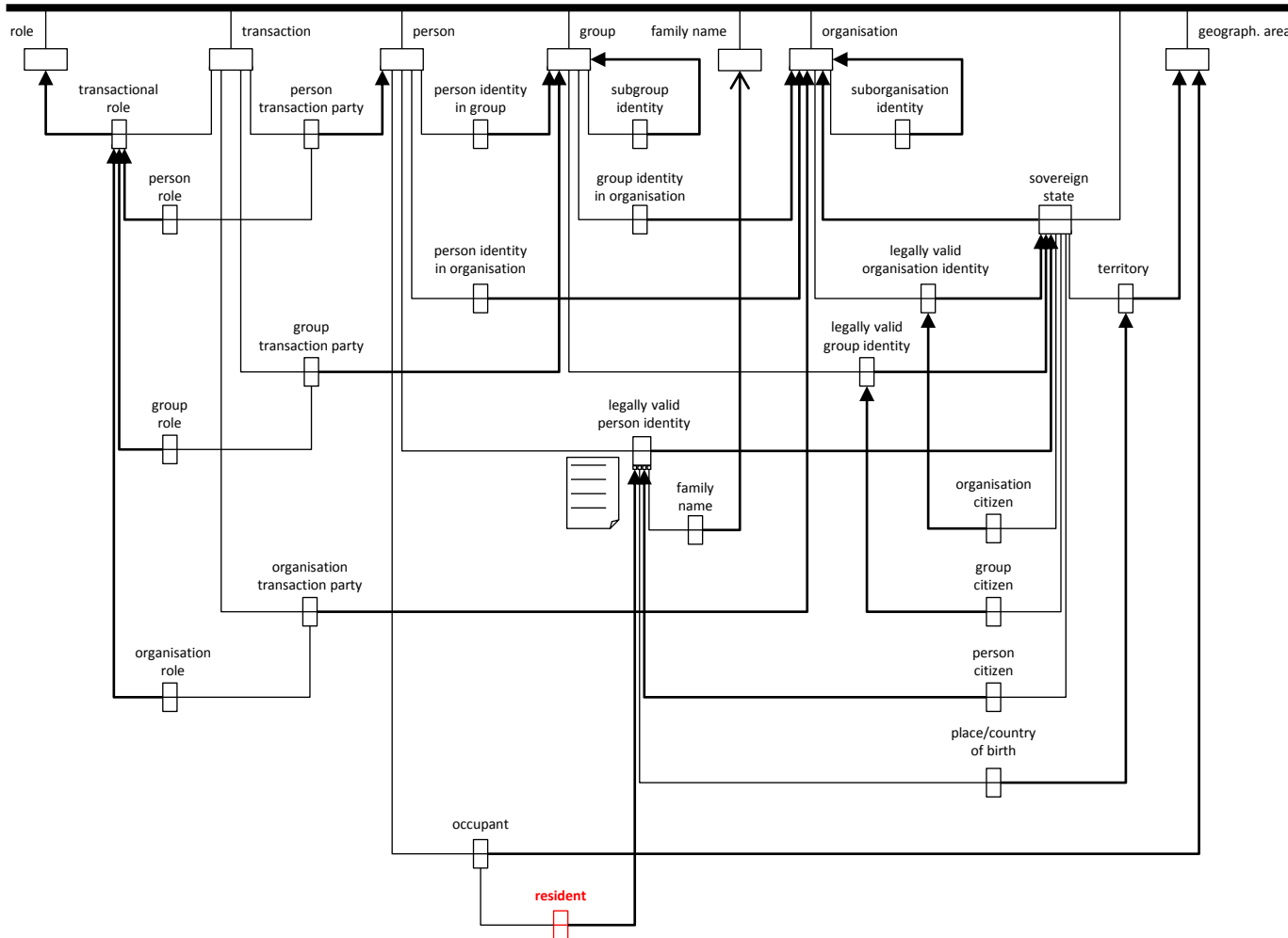
- Dutch civil register
- Dutch register of non-inhabitants
- Persons in Danish public administration
- Student registries in Croatia
- Voter registers in Russia
- Persons and organisations at airports
- National Health Service in UK

(reported as of Oct. 2010)

Design for Semantic Interoperability

modelled with Metapattern

Office of the Standardisation Forum,
The Netherlands, 2010
www.forumstandaardisatie.nl



Semic's cases of reuse:

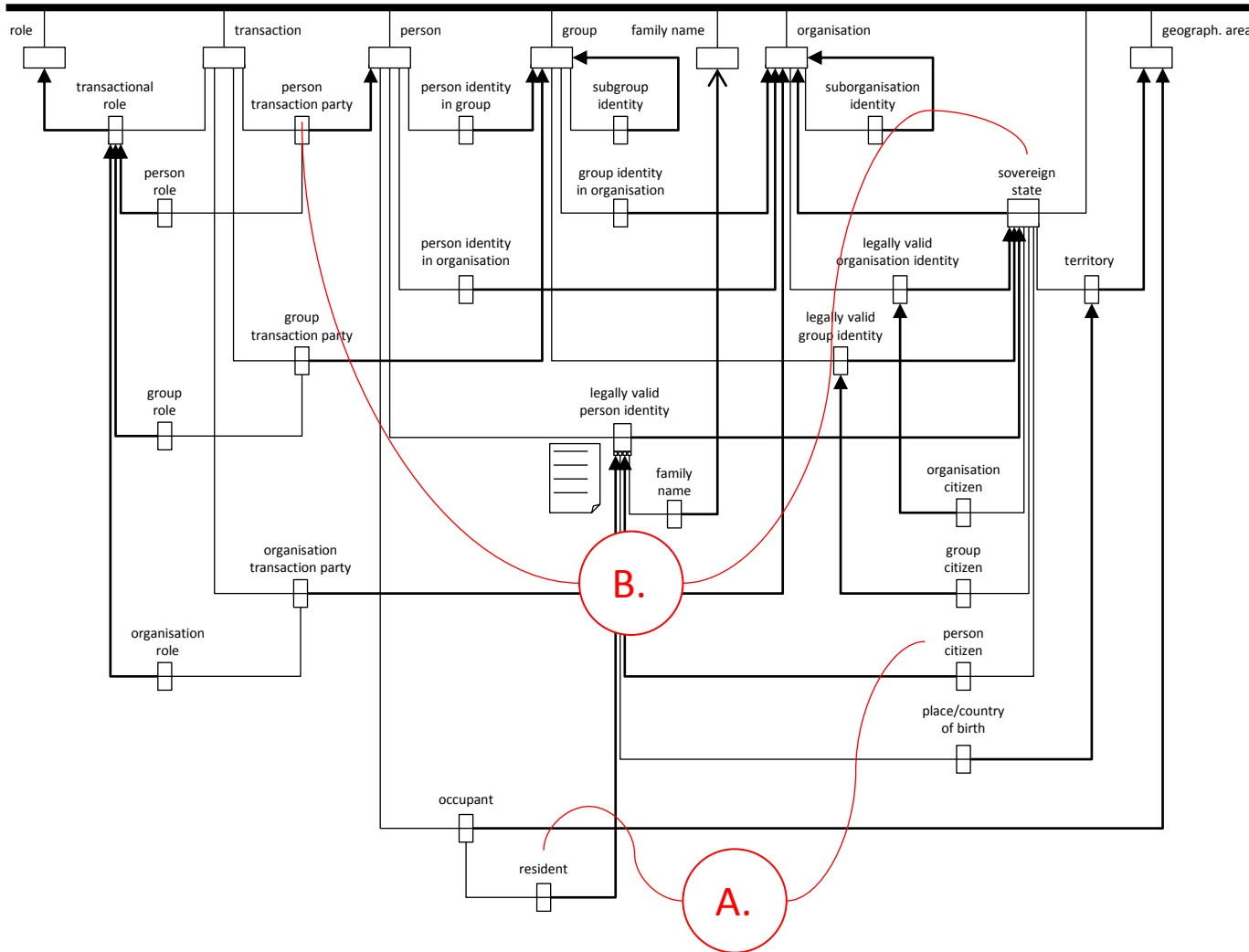
- **Dutch civil register**
- Dutch register of non-inhabitants
- Persons in Danish public administration
- Student registries in Croatia
- Voter registers in Russia
- Persons and organisations at airports
- National Health Service in UK

(reported as of Oct. 2010)

Design for Semantic Interoperability

modelled with Metapattern

Office of the Standardisation Forum,
The Netherlands, 2010
www.forumstandaardisatie.nl



Semic's cases of reuse:

- Dutch civil register
- **Dutch register of non-inhabitants**
- Persons in Danish public administration
- Student registries in Croatia
- Voter registers in Russia
- Persons and organisations at airports
- National Health Service in UK

(reported as of Oct. 2010)

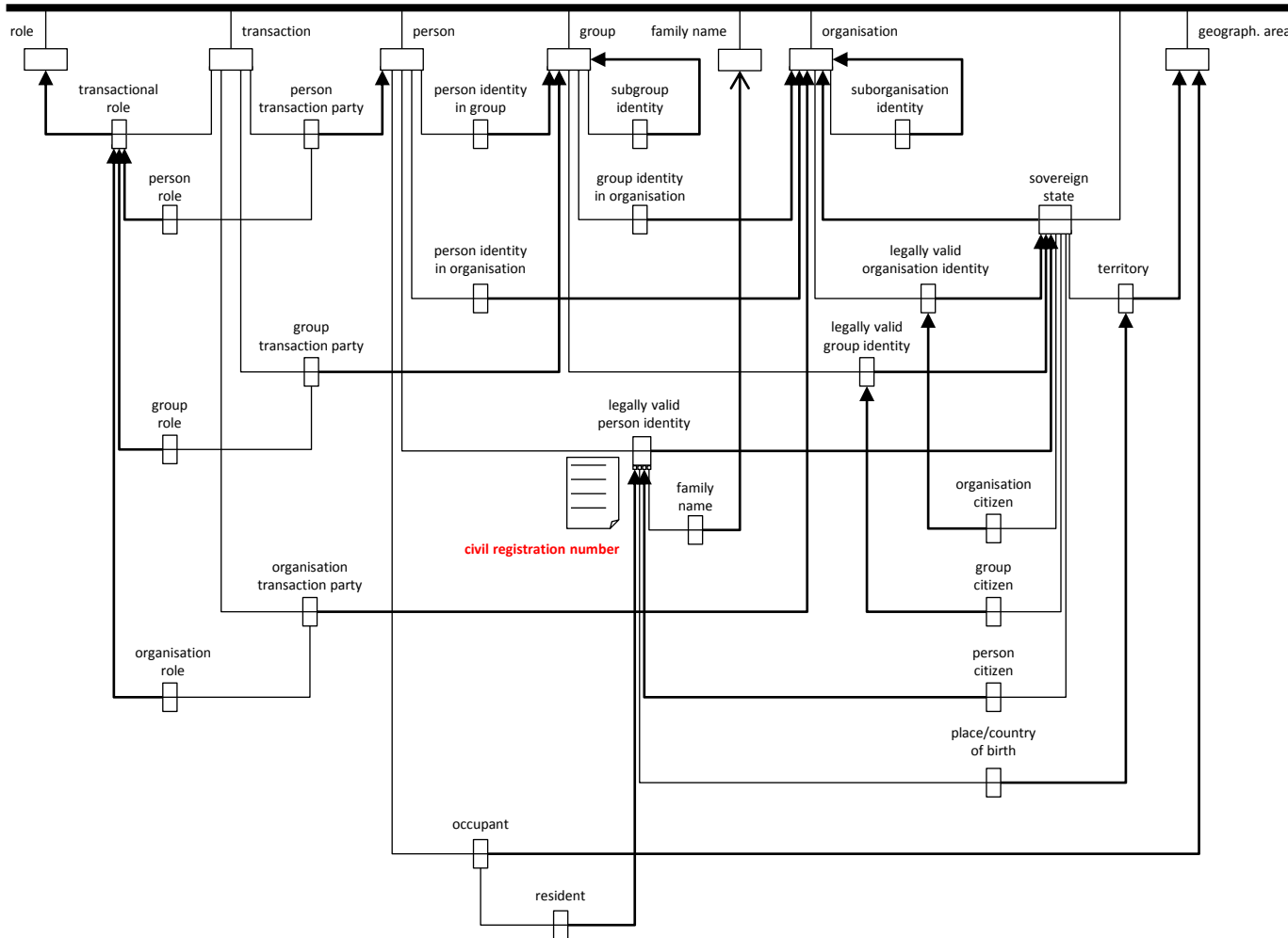
A. non-resident/Dutch citizens.

B. non-resident/non-Dutch citizens involved in transaction(s) with Dutch government.

Design for Semantic Interoperability

modelled with Metapattern

Office of the Standardisation Forum,
The Netherlands, 2010
www.forumstandaardisatie.nl



Semic's cases of reuse:

- Dutch civil register
- Dutch register of non-inhabitants
- **Persons in Danish public administration**
- Student registries in Croatia
- Voter registers in Russia
- Persons and organisations at airports
- National Health Service in UK

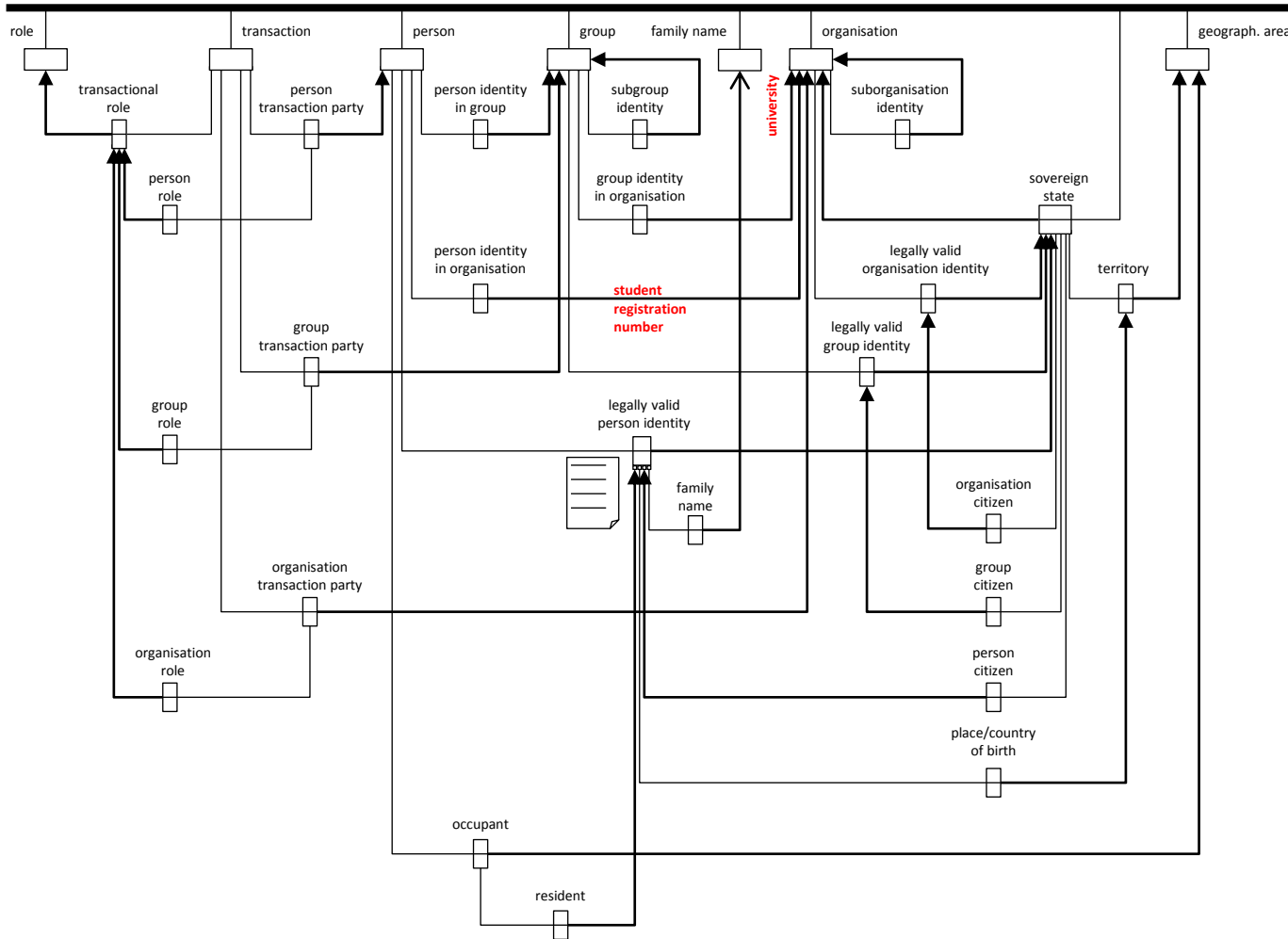
(reported as of Oct. 2010)

t

Design for Semantic Interoperability

modelled with Metapattern

Office of the Standardisation Forum,
The Netherlands, 2010
www.forumstandaardisatie.nl



Semic's cases of reuse:

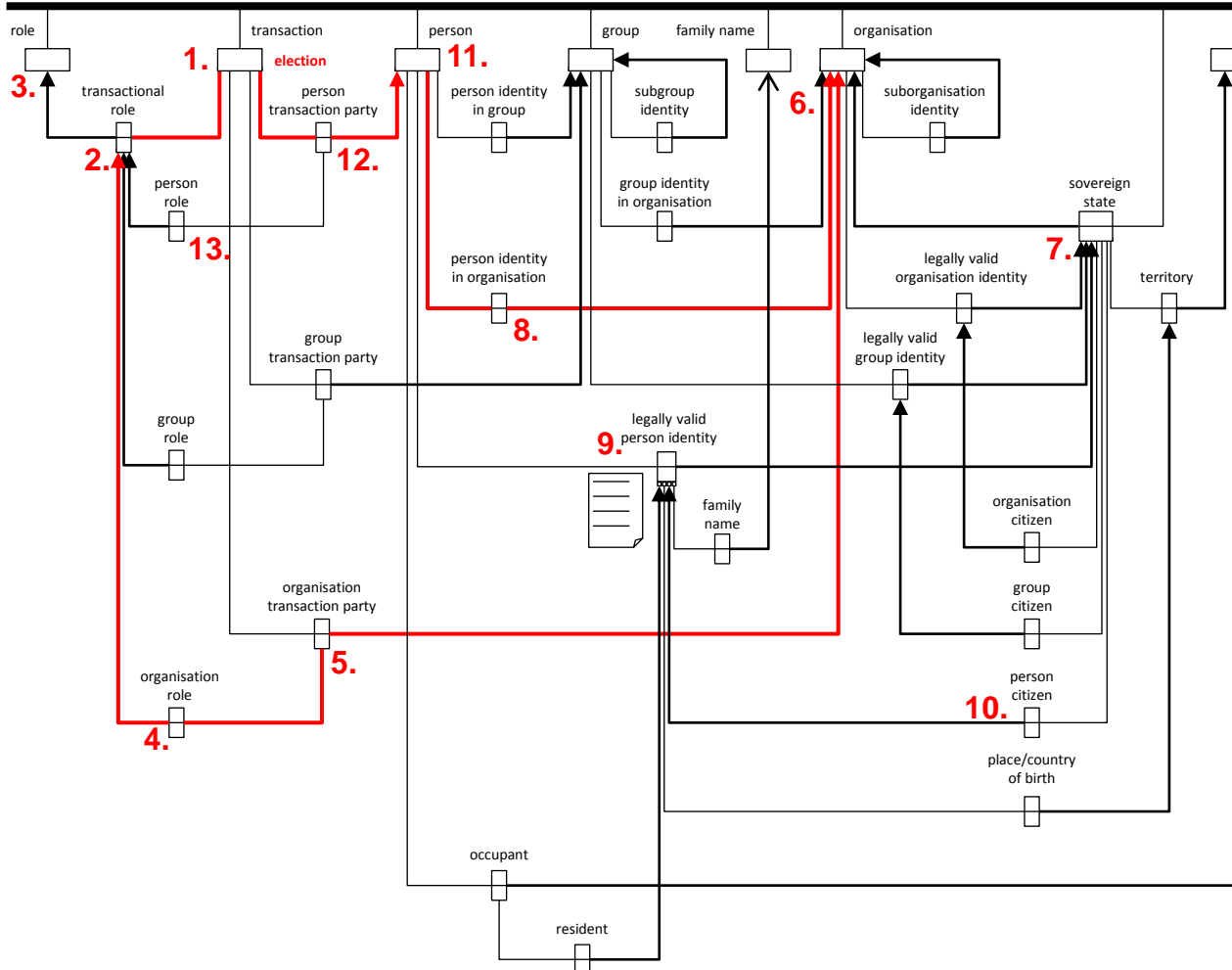
- Dutch civil register
- Dutch register of non-inhabitants
- Persons in Danish public administration
- **Student registries in Croatia**
- Voter registers in Russia
- Persons and organisations at airports
- National Health Service in UK

(reported as of Oct. 2010)

Design for Semantic Interoperability

modelled with Metapattern

Office of the Standardisation Forum,
The Netherlands, 2010
www.forumstandaardisatie.nl



Semic's cases of reuse:

- Dutch civil register
- Dutch register of non-inhabitants
- Persons in Danish public administration
- Student registries in Croatia
- **Voter registers in Russia**
- Persons and organisations at airports
- National Health Service in UK

(reported as of Oct. 2010)

When a

1. **transaction** is taken as an **election**, a particular
2. **transactional role** is
3. election organizer, a **role** executed as an
4. **organisation role** by an
5. **organisation transaction party** being an
6. **organisation**.

In case of a national election, the

6. **organisation** is a
7. **sovereign state**.

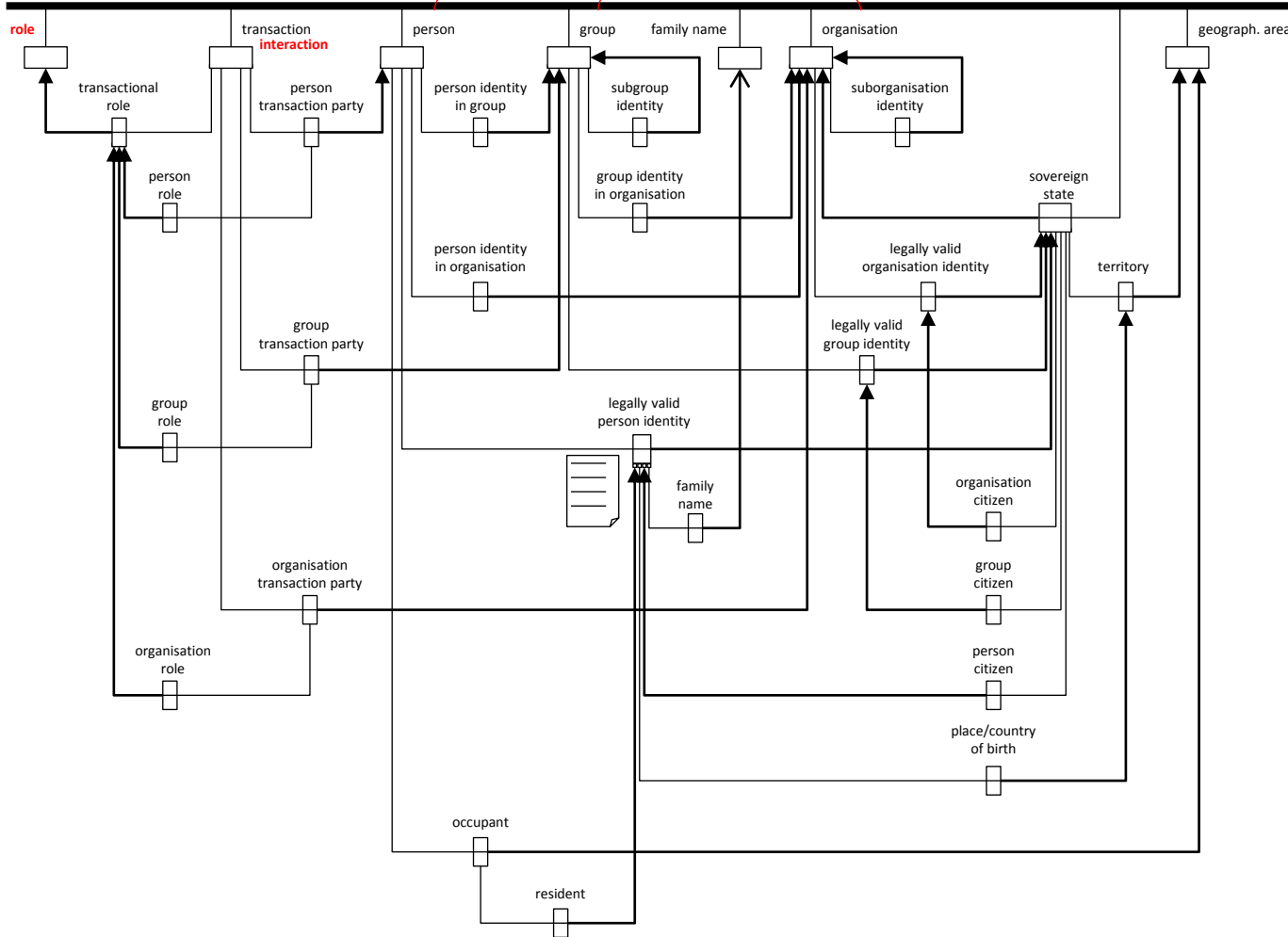
Anyone known to the

6. **organisation**, i.e. allocated a
8. **person identity in organisation**, possibly supported by a
9. **legally valid person identity** as a
10. **person citizen** of the relevant
7. **sovereign state** may, on the basis of certain criteria, for example age, participate in
11. **person**, that is, act as a
12. **person transaction party** in the
13. **person role** and perform the
2. **transactional role** of a
3. voter, i.e. a **role** in the
1. **election/transaction**.

Design for Semantic Interoperability

modelled with Metapattern

Office of the Standardisation Forum,
The Netherlands, 2010
www.forumstandaardisatie.nl



Semic's cases of reuse:

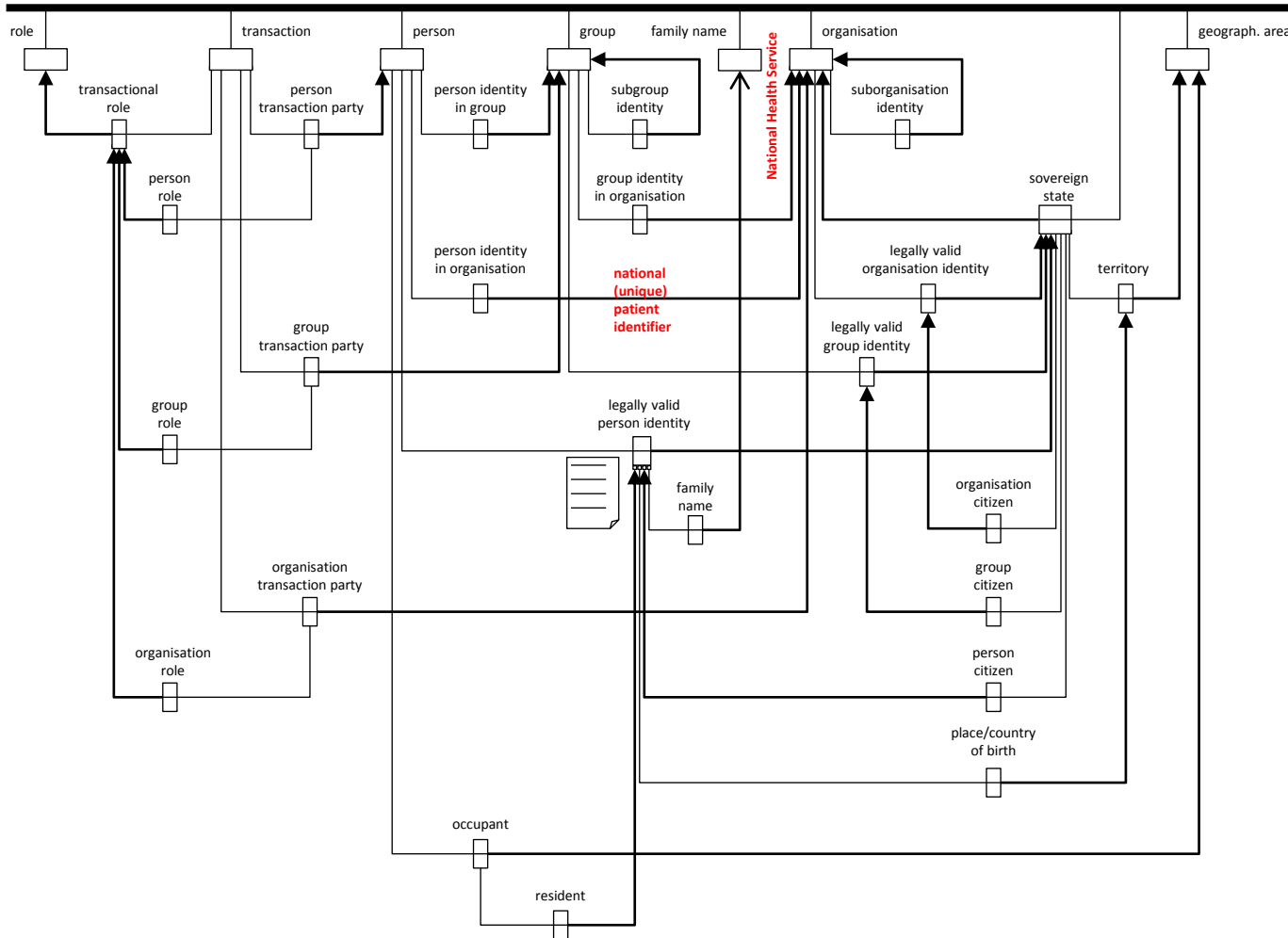
- Dutch civil register
- Dutch register of non-inhabitants
- Persons in Danish public administration
- Student registries in Croatia
- Voter registers in Russia
- **Persons and organisations at airports**
- National Health Service in UK

(reported as of Oct. 2010)

Design for Semantic Interoperability

modelled with Metapattern

Office of the Standardisation Forum,
The Netherlands, 2010
www.forumstandaardisatie.nl



Semic's cases of reuse:

- Dutch civil register
- Dutch register of non-inhabitants
- Persons in Danish public administration
- Student registries in Croatia
- Voter registers in Russia
- Persons and organisations at airports
- **National Health Service in UK**

(reported as of Oct. 2010)